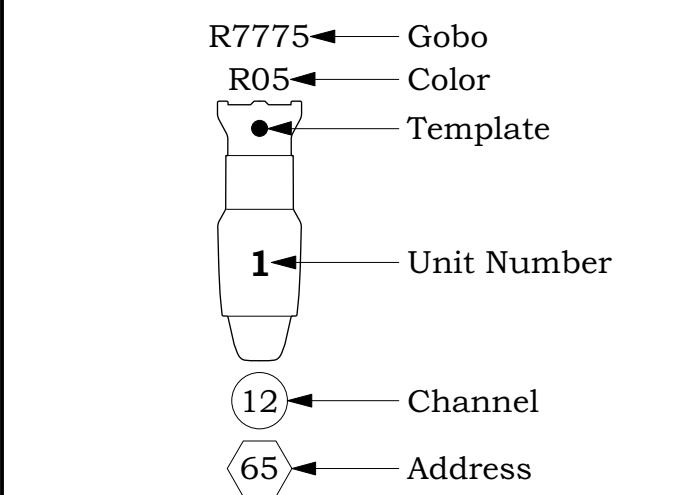


	Elation Arena PAR Zoom @ 220w	10 / 10
	ETC Source4 14deg @ 575 w	22 / 40
	ETC Source4 19deg @ 575w	43 / 45
	ETC Source4 Fresnel @ 750w	3 / 30
	ETC Source4 LED2TS 26deg @ 208w	24 / 24
	ETC Source4 LED2TS 36deg @ 208w	30 / 36
	Chroma Q Color Force 72 @ 720w	9 / 12
	ETC D60 Vivid SELO3580 @ 161w	12 / 20
	Martin Mac Aura @ 260w	13 / 16
	Varilite VL770 Spot @ 700w	9 / 12

**Color Summary**

Color	Size	Count
	G872 6.25"	19
	G872 7.5"	11
	L202 6.25"	15
	R05 6.25"	4
	R05 7.5"	11
	R39 6.25"	4
	R54 6.25"	5
	R303 6.25"	4

LEGEND



Cinderella

BUCHANEN CFPA  
CCM DANCE

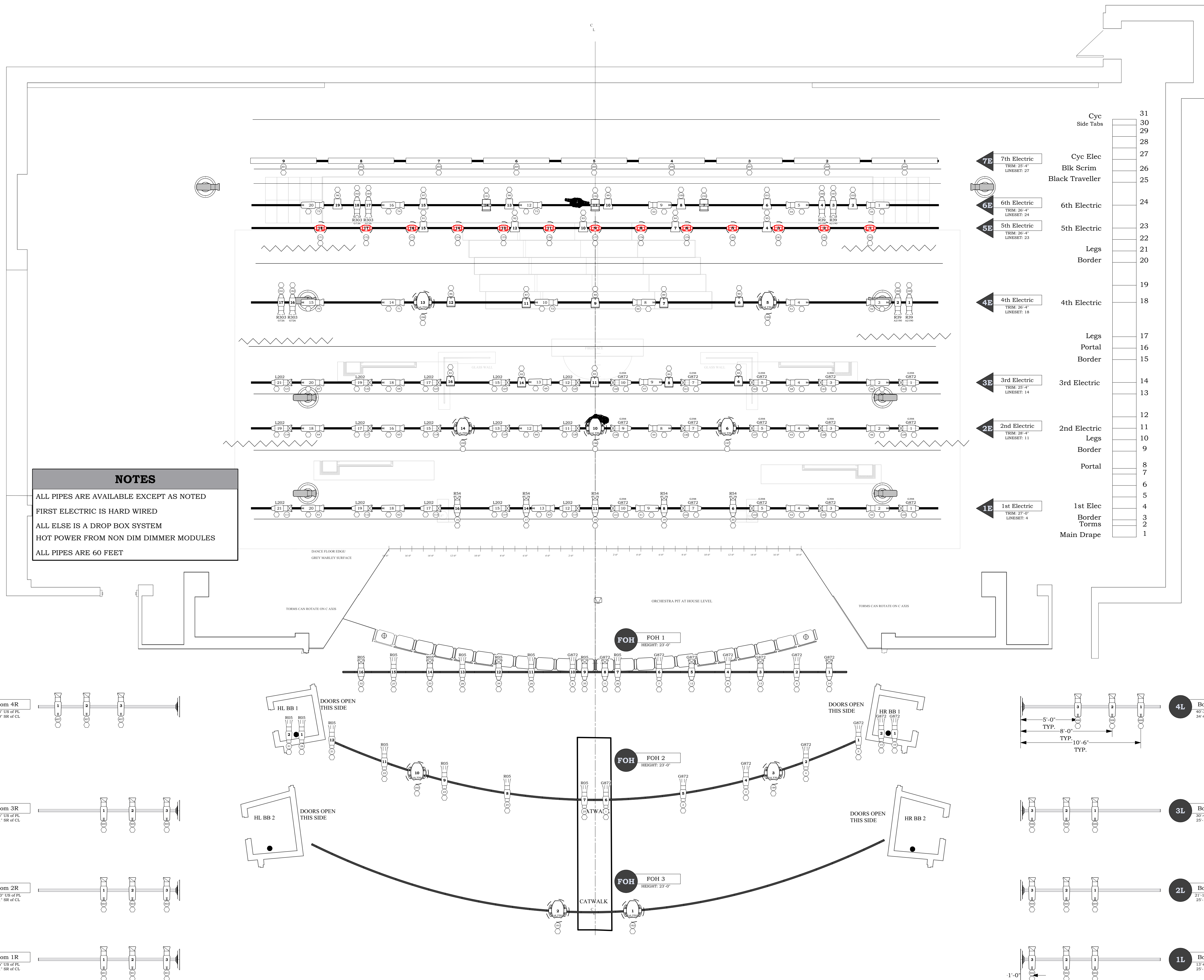
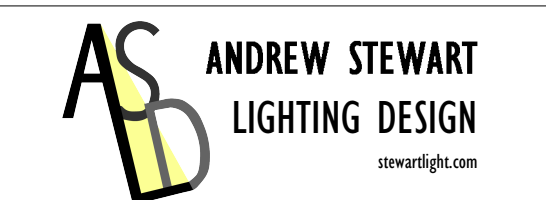


Director:  
Choreographer:  
ALD:  
Master Electrician:  
Programmer:

GROUNDPLAN

1 of 2

Revision: Preliminary  
Date: 9/11/2019  
Scale: 1/4" = 1'-0"



**NOTES**

ALL PIPES ARE AVAILABLE EXCEPT AS NOTED  
FIRST ELECTRIC IS HARD WIRED  
ALL ELSE IS A DROP BOX SYSTEM  
HOT POWER FROM NON DIM DIMMER MODULES  
ALL PIPES ARE 60 FEET

